

SBV12-16N Series

Platform Stacker • AC Power • 1.2 – 1.6 ton

SBV12N
SBV12NI
SBV12NS
SBV16N
SBV16NI
SBV16NS

All the flexibility you need... for every situation

With its stylish, compact shape and superb manoeuvrability, the SBV12-16N series is designed to fit into the narrowest of aisles and the smallest of work spaces. There it will stack heavy loads, precisely and efficiently, at heights up to 5.4 metres. The series includes initial lift models, with increased ground clearance for operation on ramps, and straddle leg versions, which allow adjustment to suit different pallet widths. In addition, all models allow rapid travel over long distances, offering the operator a choice between pedestrian and ride-on modes.

The suspended riding platform and protective sidebars fold away neatly when not being used but lock firmly into place when needed to give the operator stability and safety. Whether riding or walking, the state-of-the-art, simple-to-use tiller arm design protects the operator's hands and places everything within easy reach for safe, comfortable, controlled operation. AC technology ensures smooth, quiet, powerful performance, and minimises wear of components, while the durability of the chassis and mast guarantees a long working life, whatever the conditions.

Frame and body

- **Wide castor wheels** in addition to drive and load wheels give high stability.
- **Low centre of gravity** adds further stability, for safe operation.
- **Robust construction** offers exceptional durability in all working conditions.

Mast and fork assembly

- **Revolutionary Visionmast technology** offers unrivalled forward vision and superb lifting ability.
- **Mast strength** together with excellent stability and efficient hydraulics ensures high residual capacity – for safe handling of just about any load.
- **Mast range** includes triplex (lifting to 5.4 m) as well as duplex and simplex – all available with free lift.
- **Tapered fork tips** ensure smooth pallet entry/exit and make it easier to enter at an angle.





Comfortable ergonomic platform



High-capacity battery



Cushioned safety sidebars

Drive

- **Powerful AC motor** means high drive speed (up to 9 km/h) and acceleration – even when loaded – plus smooth, quiet, controlled operation, extended shift length and lower maintenance requirements.

Steering system

- **State-of-the-art tiller arm** offers the ultimate in ergonomic design, comfort and safety.
- **Small turning circle** along with compact chassis and excellent visibility through mast allows exceptional manoeuvrability.

Brakes

- **Regenerative braking** gives effective control, reduced brake wear and longer shift life.
- **Parking brake** is automatically activated when power is shut off, for extra safety on ramps.

Hydraulics

- **Smooth hydraulics** with proportional lifting and lowering on all models ensure jolt-free mast and fork movement for careful handling of loads.

Electrical and control systems

- **Programmable controller** adjusts acceleration, travel speed, lift speed and braking to suit the application and operator – for great versatility.
- **Battery discharge indicator and hour meter with lift cut-out** are fitted as standard for battery protection and monitoring of truck use.
- **Battery roller system** allows rapid battery exchange.
- **On-board diagnostics and fault memory folder** speed up servicing and help prevent damage.

Operator environment and controls

- **Creep speed function and tiller arm lock bypass** are included as standard for maximum control and safety.
- **Crossbar shape** deflects obstacles away from tiller arm and operator's hand, for protection of both truck and operator.
- **Easy-to-operate controls** reduce fatigue and maintain productivity.
- **Aluminium tiller arm shaft** is light but very strong.
- **Rubber hand grips** are comfortable, slip-free and ergonomically shaped for easy reach of controls.

- **Removable main switch** also acts as a key switch, to prevent unauthorised use of truck.
 - **Clear LCD display** keeps operator and service engineer fully informed – helping to avoid damage and encourage maintenance.
- ## Other features
- **Long service interval** reduces cost of ownership and minimises downtime.
 - **Rapid access features** give quick and easy entry to all areas for checks and maintenance, reducing downtime even further.

Options

- **Choice of wheel materials**
- **Wide variety of fork dimensions**
- **Wide variety of masts including duplex and triplex – with or without free lift**
- **Lift height indicator**
- **Load weight indicator**
- **Inbuilt charger**
- **PIN code start-up – with programmable features**
- **Customer name/logo/artwork on side panels**

ready to
perform
to your **applications**

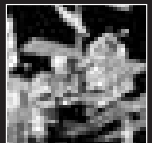
Developed for outstanding performance and genuine value for money, the awardwinning* range of Mitsubishi forklift trucks and warehouse equipment is built to a higher specification to maximize productivity and ensure utter reliability... whatever the application.

It's what you'd expect from one of the world's largest corporations whose companies are at the leading edge of technologies where performance, quality and dependability can never be compromised.

It means that, from a single safe source, we can meet 98% of all handling requirements, supplied to you via a range of competitive finance options including outright purchase, rental or leasing. So your local dealer can advise you on precisely the right product for your application... and your budget.

Moreover, because we understand how much you depend on your Mitsubishi forklift truck, we deliver the highest levels of customer support.

* Mitsubishi Forklift Trucks has won **four** separate Fork Lift Truck Association Annual Awards for Excellence covering the areas of **Ergonomics, the Environment and Innovation.**



Mast type	SBV12-16N(i)				
	h3+h13 mm	h1* mm	h4* mm	h2+h13 mm	b1 mm
Simplex	1500	1890	1890		790
Duplex	1600	1371	2101	(155)	790
	2000	1571	2501	(155)	790
	2500	1790	2970	(155)	790
	2900	1990	3370	(155)	790
	3300	2190	3770	(155)	790
	3700	2390	4170	(155)	926
Duplex Free-lift	4400	2756	4870	(155)	926
	2500	1790	2970	1310	790
	2900	1990	3370	1510	790
	3300	2190	3770	1710	790
	3700	2390	4170	1910	926
Triplex	4400	2756	4870	2276	926
	4200	1990	4650	(145)	926
	4800	2190	5250	(145)	926
	5400	2390	5850	(145)	926
Triplex Free-lift	4200	1990	4650	1540	926
	4800	2190	5250	1740	926
	5400	2390	5850	1940	926

* = SBV12Ni / SBV16Ni / SBV12NS / SBV16NS, + 31 mm

h3+h13 = Lift height
h1 = Lowered mast height
h4 = Raised mast height
h2+h13 = Free lift height



enquiry@mitforklift.com.sg
www.mitforklift.com.sg

Copyright © 2008 by MCFS. All Rights Reserved. All registered trademarks are the property of their respective owners. Printed in Singapore.

SMIT 0096

07/08

Note: Performance specifications may vary depending on standard manufacturing tolerances, vehicle condition, types of tyres, floor or surface conditions, applications or operating environment. Trucks may be shown with non-standard options. Specific performance requirements and locally available configurations should be discussed with your Mitsubishi forklift truck dealer. Mitsubishi Forklift Trucks follows a policy of continual product improvement. For this reason, some materials, options and specifications could change without notice.

SBV12-16N Series

Platform Stacker

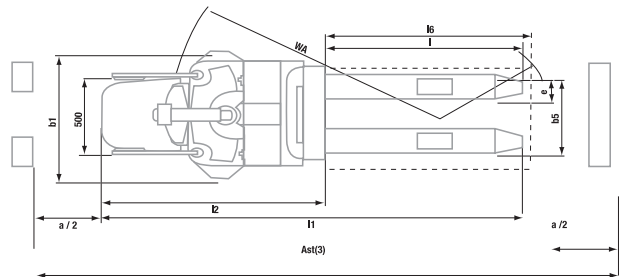
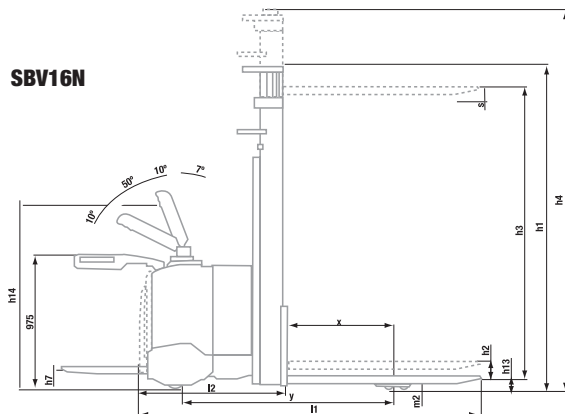
AC Power • 1.2 – 1.6 ton

Characteristics				
1.01	Manufacturer (abbreviation)		Mitsubishi	Mitsubishi
1.02	Manufacturer's model designation		SBV12N	SBV12NI
1.03	Power source: (battery, diesel, LP gas, petrol)		Battery	Battery
1.04	Operator type: pedestrian, (operator)-standing, -seated		Pedestrian/Stand-on	Pedestrian/Stand-on
1.05	Load capacity	Q kg	1200	1200
1.06	Load centre distance	c (mm)	600	600
1.08	Load wheel axle to fork face (forks lowered)	x (mm)	647	946 ¹⁾
1.09	Wheelbase	y (mm)	1254	1553
Weight				
2.01	Truck weight with nominal load & maximum battery weight	kg	2530 ²⁾	2550 ²⁾
2.02	Axle loadings with nominal load & maximum battery weight, drive/load side	kg	900 / 1630 ²⁾	1220 / 1330 ²⁾
2.03	Axle loadings without load & with maximum battery weight, drive/load side	kg	910 / 420 ²⁾	1010 / 340 ²⁾
Wheels, Drive Train				
3.01	Tyres: PT=Power Thane, Vul=Vulkollan, drive/load side		Vul/Vul	Vul/Vul
3.02	Tyre dimensions, drive side	(mm)	85x75	85x75
3.03	Tyre dimensions, load side	(mm)	230x70	230x70
3.04	Castor wheel dimensions (diameter x width)	(mm)	150x50	150x50
3.05	Number of wheels, drive/load side (x=driven)		2+1x/4	2+1x/4
3.06	Track width (centre of tyres), drive side	b10 (mm)	520	520
3.07	Track width (centre of tyres), load side	b11 (mm)	410	410
Dimensions				
4.09	Height of tiller arm (min./max.)	h14 (mm)	1141 / 1341	1141 / 1341
4.15	Fork height, fully lowered	h13 (mm)	92	92
4.19	Overall length	l1 (mm)	2037 / 2492 ³⁾	2112 / 2568 ³⁾
4.20	Length to fork face (includes fork thickness)	l2 (mm)	887 / 1343 ³⁾	887 / 1343 ³⁾
4.21	Overall width	b1/b2 (mm)	790 / 926	790 / 926
4.22	Fork dimensions (thickness, width, length)	s / e / l (mm)	56 / 185 / 1150	56 / 185 / 1150
4.25	Outside width over forks (minimum/maximum)	b5 (mm)	570	570
4.32	Ground clearance at centre of wheelbase, (forks lowered)	m2 (mm)	29	25
4.33a	Working aisle width (Ast) with 1000 x 1200 mm pallets, load crosswise, platform up/down	Ast (mm)	2519 / 2955 ³⁾	2669 / 3105 ³⁾
4.33b	Working aisle width (Ast3) with 1000 x 1200 mm pallets, load crosswise, platform up/down	Ast3 (mm)	2239 / 2675 ³⁾	2239 / 2675 ³⁾
4.34a	Working aisle width (Ast) with 800 x 1200 mm pallets, load lengthwise, platform up/down	Ast (mm)	2419 / 2855 ³⁾	2509 / 2945 ³⁾
4.34b	Working aisle width (Ast3) with 800 x 1200 mm pallets, load lengthwise, platform up/down	Ast3 (mm)	2289 / 2725 ³⁾	2289 / 2725 ³⁾
4.35	Turning circle radius	Wa (mm)	1536 / 1972 ³⁾	1835 / 2271 ³⁾
Performance				
5.01	Travel speed, with/without load	km/h	6/6	6/6
5.02	Lifting speed, with/without load	m/s	0,11 / 0,17	0,11 / 0,17
5.03	Lowering speed, with/without load	m/s	0,23 / 0,12	0,23 / 0,12
5.07	Gradeability, with/without load	%	7 / 15	7 / 15
5.10	Service brakes (mechanical/hydraulic/electric/pneumatic)		Electric	Electric
Electric motors				
6.01	Drive motor capacity (60 min. short duty)	kW	0,8	0,8
6.02	Lift motor output at 15% duty factor	kW	2,2	2,2
6.04	Battery voltage/capacity at 5-hour discharge	V/Ah	24 / 270, 375	24 / 270, 375
6.05	Battery weight kg	kg	245, 285	245, 285
Miscellaneous				
8.01	Type of drive control		Stepless	Stepless
8.04	Noise level, mean value at operator's ear (EN 12053)	dB (A)	68	68

Continuing improvement may lead to changes in these specifications.

¹⁾ = -17 mm triplex masts ²⁾ = DF3300 ³⁾ = +17 mm triplex masts

SBV16N

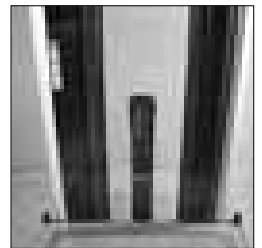


Ast = Working aisle width
 Ast3 = Working aisle width (b12 ≤ 1000 mm)
 $Ast = Wa + \sqrt{(l6 - x)^2 + (b12 / 2)^2} + a$
 $Ast3 = Wa + l6 + a$

	Mitsubishi SBV12NS	Mitsubishi SBV16N	Mitsubishi SBV16NI	Mitsubishi SBV16NS
	Battery	Battery	Battery	Battery
	Pedestrian/Stand-on	Pedestrian/Stand-on	Pedestrian/Stand-on	Pedestrian/Stand-on
	1200	1600	1600	1600
	600	600	600	600
	647	647	946 ¹⁾	647
	1319	1254	1553	1319
	2530 ²⁾	2960 ²⁾	2980 ²⁾	2960 ²⁾
	900 / 1630 ²⁾	930 / 2030 ²⁾	1330 / 1650 ²⁾	930 / 2030 ²⁾
	910 / 420 ²⁾	940 / 420 ²⁾	1040 / 340 ²⁾	940 / 420 ²⁾
	Vul/Vul	Vul/Vul	Vul/Vul	Vul/Vul
	85x75	85x75	85x75	85x75
	230x70	230x70	230x70	230x70
	150x50	150x50	150x50	150x50
	2+1x/4	2+1x/4	2+1x/4	2+1x/4
	520	520	520	520
	410	410	410	410
	1141 / 1341	1141 / 1341	1141 / 1341	1141 / 1341
	75	92	92	75
	2086 / 2542 ³⁾	2037 / 2492 ³⁾	2112 / 2568 ³⁾	2086 / 2542 ³⁾
	887 / 1343 ³⁾	887 / 1343 ³⁾	887 / 1343 ³⁾	887 / 1343 ³⁾
	1124 / 1324 / 1524	790 / 926	790 / 926	1124 / 1324 / 1524
	40 / 100 / 1150	56 / 185 / 1150	56 / 185 / 1150	40 / 100 / 1150
	200-980	570	570	200-980
	29	29	25	29
	2586 / 3022 ³⁾	2519 / 2955 ³⁾	2669 / 3105 ³⁾	2586 / 3022 ³⁾
	2306 / 2742 ³⁾	2239 / 2675 ³⁾	2239 / 2675 ³⁾	2306 / 2742 ³⁾
	2486 / 2922 ³⁾	2419 / 2855 ³⁾	2509 / 2945 ³⁾	2486 / 2922 ³⁾
	2356 / 2792 ³⁾	2289 / 2725 ³⁾	2289 / 2725 ³⁾	2356 / 2792 ³⁾
	1603 / 2039 ³⁾	1536 / 1972 ³⁾	1835 / 2271 ³⁾	1603 / 2039 ³⁾
	6/6	9/9	9/9	9/9
	0,11 / 0,17	0,13 / 0,23	0,13 / 0,23	0,13 / 0,23
	0,23 / 0,12	0,23 / 0,22	0,23 / 0,22	0,23 / 0,22
	7 / 15	10 / 15	10 / 15	10 / 15
	Electric	Electric	Electric	Electric
	0,8	2	2	2
	2,2	3	3	3
	24 / 270, 375	24 / 375	24 / 375	24 / 375
	245, 285	285	285	285
	Stepless	Stepless	Stepless	Stepless
	68	68	68	68



Ergonomic tiller arm



High-visibility Visionmast

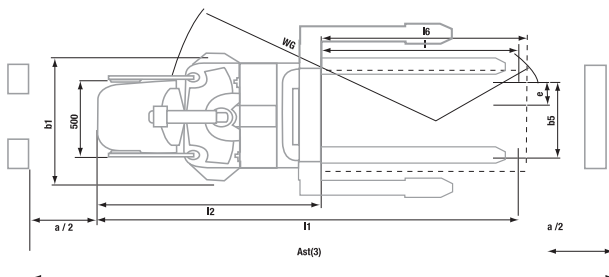


Powerful AC motor



Smooth-entry fork tips

SBV12NS/SBV16NS



Wa = Turning radius

l6 = Pallet length

x = Load wheel axle to fork face

b12 = Pallet width

a = Safety clearance = 2 x 100 mm