

PBS20N Series

Sit-on Power Pallet • AC Power • 2.0 ton

PBS20N

Fast, efficient pallet transport... delivered in comfort

For efficient transport of goods over longer distances, look no further than the strong, fast, controllable PBS20N sit-on powered pallet truck. With effortless, precise steering, ergonomic controls and a comfortably seated operator, the PBSN promises constant productivity through the longest of shifts.

A low-maintenance AC drive motor, long service interval and rapid access to all components reduces costs and maximises uptime. Meanwhile, the robust chassis protects both operator and truck from accidental damage.

Frame and body

- **Robust chassis** offers exceptional durability and driver protection.
- **High-visibility design** maximises view of fork tips and working area.
- **High stability** is ensured by low centre of gravity and use of two castor wheels – next to the drive wheel – in addition to the two load wheels.

Forks

- **Rounded fork tips** ensure smooth pallet entry/exit and make it easier to enter the pallet at an angle.

Drive

- **Powerful AC motor** means high drive speed and acceleration – even when loaded – plus smooth, quiet, controlled operation, extended shift length and lower maintenance requirements.

Steering system

- **360-degree electronic 'fly-by-wire' steering** offers precise turning with minimal effort, even at high speeds.
- **Progressive steering** allows easy manoeuvring at low speeds and steady control when moving fast.



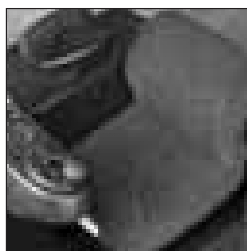
PBS20N Series

Sit-on Power Pallet

AC Power • 2.0 ton

Characteristics			
1.01	Manufacturer (abbreviation)		Mitsubishi
1.02	Manufacturer's model designation		PBS20N
1.03	Power source: (battery, diesel, LP gas, petrol)		Battery
1.04	Operator type: pedestrian, (operator)-standing, -seated		Sit-on
1.05	Load capacity	Q (kg)	2000
1.06	At load centre	c (mm)	600
1.08	Load wheel axle to fork face (forks lowered)	x (mm)	961
1.09	Wheelbase	y (mm)	1674
Weight			
2.01	Truck weight with nominal load & battery	kg	2955
2.02	Axle loadings with nominal load & battery, drive/load side	kg	1830/1125
2.03	Axle loadings without load & with battery, drive/load side	kg	220/735
Wheels, Drive Train			
3.01	Tyres: P=Polyurethan, PT=Power Thane, Vul=Vulkollan, drive/load side		Vul/Vul
3.02	Tyre dimensions, front		85x75
3.03	Tyre dimensions, rear		250x100
3.04	Castor wheel dimensions (diameter x width)		150x48
3.05	Number of wheels, front/rear (x=driven)		1x+2 / 4
3.06	Track width (centre of tyres), load side	b10 (mm)	354-514
3.07	Track width (centre of tyres), drive side	b11 (mm)	685
Dimensions			
4.02	Height with mast lowered (see tables)	h1 (mm)	1335
4.04	Lift height (see tables)	h3 (mm)	200
4.08	Seat height or platform height	h7 (mm)	400
4.15	Fork height, fully lowered	h13 (mm)	85
4.19	Overall length	l1 (mm)	2100
4.20	Length to fork face (includes fork thickness)	l2 (mm)	950
4.21	Overall width	b1/b2 (mm)	1050
4.22	Fork dimensions (thickness, width, length)	s / e / l (mm)	50/165/1150
4.25	Outside width over forks (minimum/maximum)	b5 (mm)	520-680
4.32	Ground clearance at centre of wheelbase, with load (forks lowered)	m2 (mm)	35
4.33/a	Working aisle width (Ast) with 1000 x1200 mm pallets, load crosswise	Ast (mm)	2596
4.33/b	Working aisle width (Ast3) with 1000 x 1200 mm pallets, load crosswise	Ast3 (mm)	2189
4.34/a	Working aisle width (Ast) with 800 x1200 mm pallets, load lengthwise	Ast (mm)	2616
4.34/b	Working aisle width (Ast3) with 800 x 1200 mm pallets, load lengthwise	Ast3 (mm)	2389
4.35	Turning circle radius	Wa (mm)	1950
Performance			
5.01	Travel speed, with/without load	km/h	8/11
5.02	Lifting speed, with/without load	m/s	0.03/0.04
5.03	Lowering speed, with/without load	m/s	0.07/0.02
5.07	Gradeability, with/without load	%	6/15
5.10	Service brakes (mechanical/hydraulic/electric/pneumatic)		Electric
Electric motors			
6.01	Drive motor capacity (60 min. short duty)	kW	2.2
6.02	Lift motor output at 15% duty factor	kW	1.2
6.04	Battery voltage/capacity at 5-hour discharge	V /Ah	24/375-465
6.05	Battery weight	kg	305/395
Miscellaneous			
8.01	Type of drive control		Stepless
8.04	Noise level, mean value at operator's ear	dB(A)	66

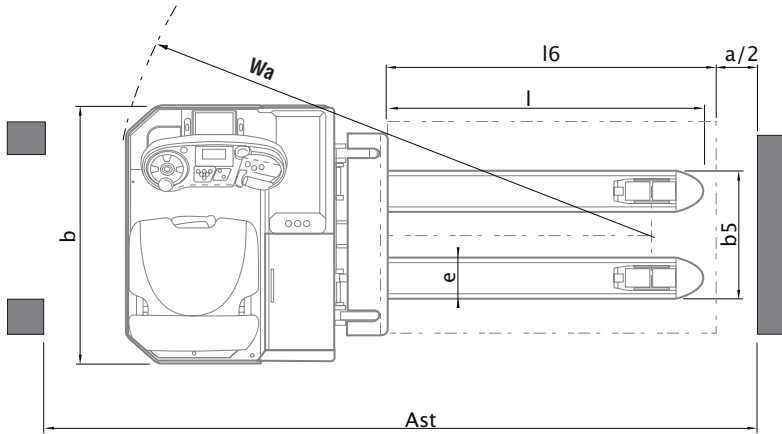
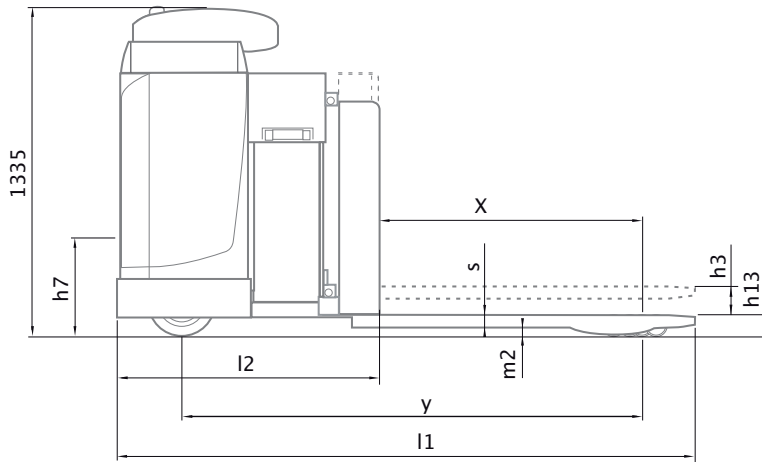
Continuing improvement may lead to changes in these specifications.



Fully adjustable seat



'Fly-by-wire' steering



Swing-open service access



Ergonomic operator compartment



PIN code start-up

- Ast = Working aisle width
- Ast3 = Working aisle width (b12 ≤ 1000 mm)
- $Ast = Wa + \sqrt{(l6 - x)^2 + (b12 / 2)^2} + a$
- Ast3 = Wa + l6 + a
- Wa = Turning radius
- l6 = Pallet length
- x = Load wheel axle to fork face
- b12 = Pallet width
- a = Safety clearance = 2 x 100 mm

- h1 = Height with mast lowered
- h2 = Standard free lift
- h3 = Lift height
- h4 = Height with mast raised
- h5 = Full free lift
- Q = Lifting capacity, rated load
- c = Load centre (distance)



Powerful AC motor



Comprehensive LCD display



Rounded fork tips

Brakes

- **Regenerative braking** gives effective control, reduced brake wear and longer shift life.

Hydraulics

- **Smooth hydraulics** ensure jolt-free fork movement for careful handling of loads.

Electrical and control systems

- **Large battery compartment** accommodates high-capacity batteries (up to 500 Ah).
- **PIN code start-up** with driver-specific settings is included as standard to prevent unauthorised or inappropriate use.
- **Programmable controller** adjusts acceleration, travel speed and braking to suit the application and operator – for great versatility.
- **Battery roller system** is fitted as standard for rapid exchanges.
- **Battery discharge indicator and lift cut-out** are provided for battery protection.
- **Automatic, stepless speed reduction system** assures safe, controlled cornering.

Operator environment and controls

- **Ergonomic operator compartment** with adjustable armrest and carefully positioned controls reduces driver fatigue and increases precision.
- **Full-suspension, fully adjustable seat** with optional hip restraints and belt keeps driver safe and comfortable through the longest of shifts.
- **Load weight indicator** is specified as standard to avoid exceeding safe capacity.
- **Clear LCD display** keeps operator and service engineer fully informed – helping to avoid damage and encourage maintenance.
- **User-friendly operator menu** gives easy-to-follow instructions and allows operator to tune truck to own preference.

Other features

- **Swing-open seat** allows quick and easy entry to all areas for checks and maintenance.
- **Long service interval** reduces cost of ownership and increases uptime.

Options

- **Wide variety of fork dimensions**
- **Customer name/logo /artwork on side panels**
- **Pallet entry and exit rollers**
- **Cold store modification** (class III, -35°C)
- **Increased capacity** – to 2.5 tonnes
- **Overhead guard**
- **List bracket or PC support**
- **Key switch instead of start/stop button**

ready to perform to your applications

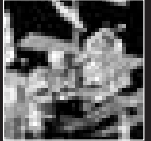
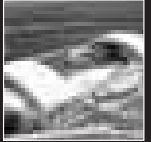
Developed for outstanding performance and genuine value for money, the awardwinning* range of Mitsubishi forklift trucks and warehouse equipment is built to a higher specification to maximize productivity and ensure utter reliability... whatever the application.

It's what you'd expect from one of the world's largest corporations whose companies are at the leading edge of technologies where performance, quality and dependability can never be compromised.

It means that, from a single safe source, we can meet 98% of all handling requirements, supplied to you via a range of competitive finance options including outright purchase, rental or leasing. So your local dealer can advise you on precisely the right product for your application... and your budget.

Moreover, because we understand how much you depend on your Mitsubishi forklift truck, we deliver the highest levels of customer support.

* Mitsubishi Forklift Trucks has won **four** separate Forklift Truck Association Annual Awards for Excellence covering the areas of **Ergonomics, the Environment and Innovation.**



enquiry@mitforklift.com.sg

www.mitforklift.com.sg

Copyright © 2008 by MCFS, All Rights Reserved. All registered trademarks are the property of their respective owners. Printed in Singapore.

SMT 0085

04/08

Note: Performance specifications may vary depending on standard manufacturing tolerances, vehicle condition, types of tyres, floor or surface conditions, applications or operating environment. Trucks may be shown with non-standard options. Specific performance requirements and locally available configurations should be discussed with your Mitsubishi forklift truck dealer. Mitsubishi Forklift Trucks follows a policy of continual product improvement. For this reason, some materials, options and specifications could change without notice.