

OPB10-20N Series

Low Level Order Picker • AC Power • 1.0 – 2.0 ton

OPB10NSPF
OPB20NE
OPB20NSP
OPB20NT

Great choice... even greater versatility

With a choice of four highly versatile models, the OPB10-20N series provides compact, ergonomic, easy-to-use solutions for a variety of order picking needs. From the basic tiller arm model OPB20NT to the highly specified OPB20NE, each combines operator comfort and precise control with efficient performance.

The OPB20NE offers the highest standard in modern design, performance and safety. The OPB20NE offers a maximum

drive speed of 12 km/h when the operator is riding but sets a safe limit of 2.5 km/h in optional walk-beside mode. A rising platform is incorporated into model OPB20NSP, while the equipment of model OPB10NSPF includes both rising forks and a rising platform. The OPB20NT offers versatility and performance for a competitive price.

Frame and body

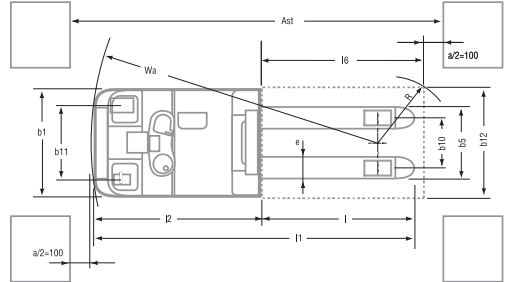
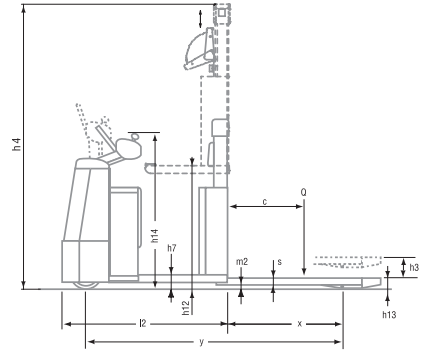
- **Low centre of gravity** together with low-maintenance tandem load wheels ensures high stability.
- **Robust construction** means exceptional durability.

Forks

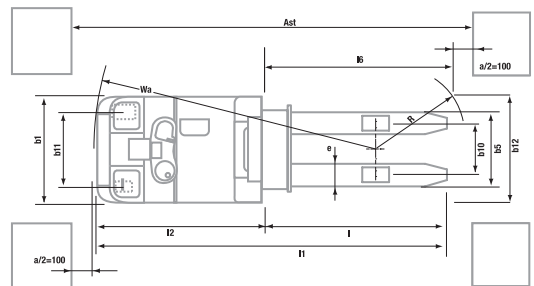
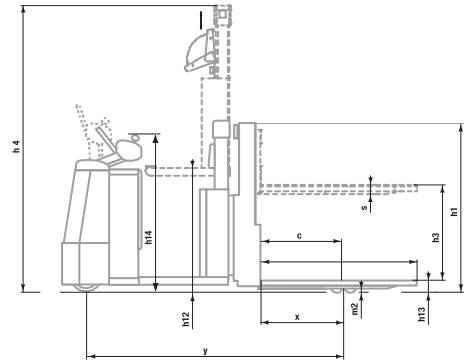
- **Tapered fork tips** ensure smooth pallet entry and exit and make it easier to enter the pallet at an angle.



OPB20NSP: with rising platform



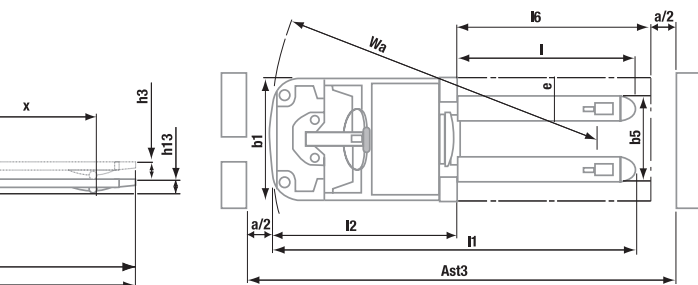
OPB10NSPF: with rising platform and forks

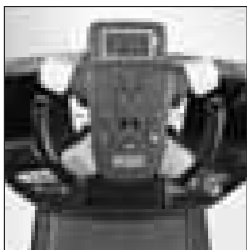


$$\begin{aligned} Ast &= Wa + R + a \\ Ast &= \text{Cross aisle width} \\ Wa &= \text{Turning radius} \\ a &= \text{Safety clearance} = 2 \times 100 \text{ mm} \\ R &= \sqrt{(l6 - x)^2 + (b12 / 2)^2} \end{aligned}$$

	Mitsubishi OPB20NSP Battery Stand-on 2000 600 961 2025	Mitsubishi OPB20NT Battery Stand-on 2000 600 960 1928
	2980 1010/1970 655/325	2945 1022/1923 719/226
	Vul/Vul 250 x 85 85 x 75 150 x 50 2 + 1x/4 455 375	Vul/Vul 230 x 70 85 x 75 150 x 50 2 + 1x/4 550 390
	1335 115 130 1050/1160 130/930 85 2400 1250 790 165/1150 540 35 2891 2664 2225	1510 115 150 1157/1349 150 85 2330 1180 790 165/1150 550 25 2600 2826 2160
	10/12 0.04/0.05 0.04/0.02 7/15 Electric	9.0/9.0 0.03/0.04 0.05/0.03 10/15 Electric
	2.2 2.0 24/375, 465 280 - 360	2.0 1.0 24/240, 375 205 - 300
	Stepless 64	Stepless -

OPB20NT: Tiller arm model

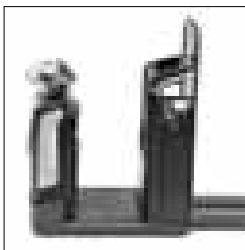




"Maxius" steering wheel



Powerful AC motor



Spacious walk-through cabin

Drive

- **AC drive** means high power for excellent traction and ramp performance, as well as smooth, quiet, controlled operation, extended shift length and lower maintenance requirements.
- **Patented load-sensing device** on OPB20NT optimises drive wheel pressure on floor for improved traction.

Steering system

- **Advanced electric steering**, allowing precise control at speed, speed reduction in curves and automatic drive wheel centering.
- **Small turning circle** together with responsive steering and compact chassis allows exceptional manoeuvrability.
- **State-of-the-art tiller arm** on OPB20NT offers the ultimate in ergonomic design, comfort and safety.

Brakes

- **Regenerative braking** gives effective control, no brake wear and improving efficiency.

Electrical and control systems

- **Programmable controller** adjusts acceleration, travel speed and braking to suit the application and operator – for great versatility.
- **On-board diagnostics** and fault memory folder speed up servicing and help prevent damage.

Operator environment and controls

- **"Maxius" steering wheel** Offers the best in ergonomics, comfort and design. With all operating controls easily in reach of hands.
- **Walk-through cabin** with low step height allows easy entry to spacious operator area from both sides.
- **Suspended floor** with textured rubber surface absorbs shocks and prevents slipping.
- **Comfortable backrest** reducing driver fatigue.
- **Creep speed function and tiller arm lock bypass** on OPB20NT are included as standard for maximum safety and control in confined spaces.
- **Tiller arm crossbar shape** on OPB20NT deflects obstacles away from tiller arm and operator's hand, for protection of both truck and operator.
- **Clear display** alerts operators and service engineers to potential problems – helping to avoid damage and encourage maintenance.
- **Aluminium tiller arm shaft** on OPB20NT is light but very strong and is angled for optimum comfort.

Other features

- **Bright white LED-lighting** in the front panel on OPB20NE model, secures high visibility for other traffic.
- **Rapid access features** give quick and easy entry to all areas for checks and maintenance.

Options

OPB10-20NE

- **Wide variety of fork dimensions**
- **Battery changing device**
- **Customer name / logo / artwork on side panels**
- **Shrink-wrap holders**
- **Side-mounted push-button drive controls**
- **LED turning signal option**

OPB20NT

- **Wide variety of fork dimensions**
- **Electric power steering**
- **Load weight indicator**
- **Customer name / logo / artwork on side panels**
- **Rubber bumper**
- **Pick list holder or computer monitor support**

ready to
perform
to your **applications**

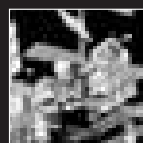
Developed for outstanding performance and genuine value for money, the awardwinning* range of Mitsubishi forklift trucks and warehouse equipment is built to a higher specification to maximize productivity and ensure utter reliability... whatever the application.

It's what you'd expect from one of the world's largest corporations whose companies are at the leading edge of technologies where performance, quality and dependability can never be compromised.

It means that, from a single safe source, we can meet 98% of all handling requirements, supplied to you via a range of competitive finance options including outright purchase, rental or leasing. So your local dealer can advise you on precisely the right product for your application... and your budget.

Moreover, because we understand how much you depend on your Mitsubishi forklift truck, we deliver the highest levels of customer support.

* Mitsubishi Forklift Trucks has won **four** separate Fork Lift Truck Association Annual Awards for Excellence covering the areas of **Ergonomics, the Environment and Innovation.**



OPB20NT



www.mitforklift.com.sg

Copyright © 2009 by MCFs, All Rights Reserved. All registered trademarks are the property of their respective owners. Printed in Singapore.

SMT 0100

03/09

Note: Performance specifications may vary depending on standard manufacturing tolerances, vehicle condition, types of tyres, floor or surface conditions, applications or operating environment. Trucks may be shown with non-standard options. Specific performance requirements and locally available configurations should be discussed with your Mitsubishi forklift truck dealer. Mitsubishi Forklift Trucks follows a policy of continual product improvement. For this reason, some materials, options and specifications could change without notice.